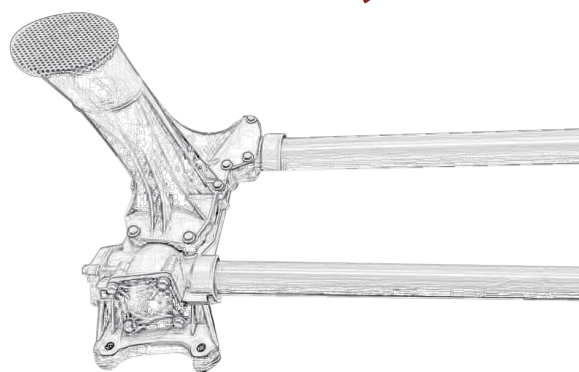


# USP ENGINE SYSTEM



TAIZHOU JINJIE AUTO PARTS TECHNOLOGY CO.,LTD



WATER  
PUMP

OIL  
PUMP

VENTI-  
LATION

PROFESSIONAL IN DEVELOPING AND MANUFACTURING WATER PUMPS,  
OIL PUMPS, AND VENTILATION FOR DIFFERENT VEHICLES;

SPECIALIZES IN SUPPLYING TO EUROPEAN,AMERICAN AND OTHER MARKETS



**GERMANY**



**GERMANY**

# CONTENTS



**GERMANY**

TAIZHOU JINJIE AUTO PARTS TECHNOLOGY CO., LTD

CHEN AO LI INDUSTRIAL, DAMAIYU STREET, YUHUAN CITY, TAIZHOU CITY, ZHEJIANG PROVINCE, CHINA.317604

EMAIL [info@usp-truck.com](mailto:info@usp-truck.com)

WEB [www.usp-truck.com](http://www.usp-truck.com)

---

## **ENGINE POWER SYSTEM**

- OIL SUCTION MANIFOLD
- OIL SEPARATOR
- OIL PUMP

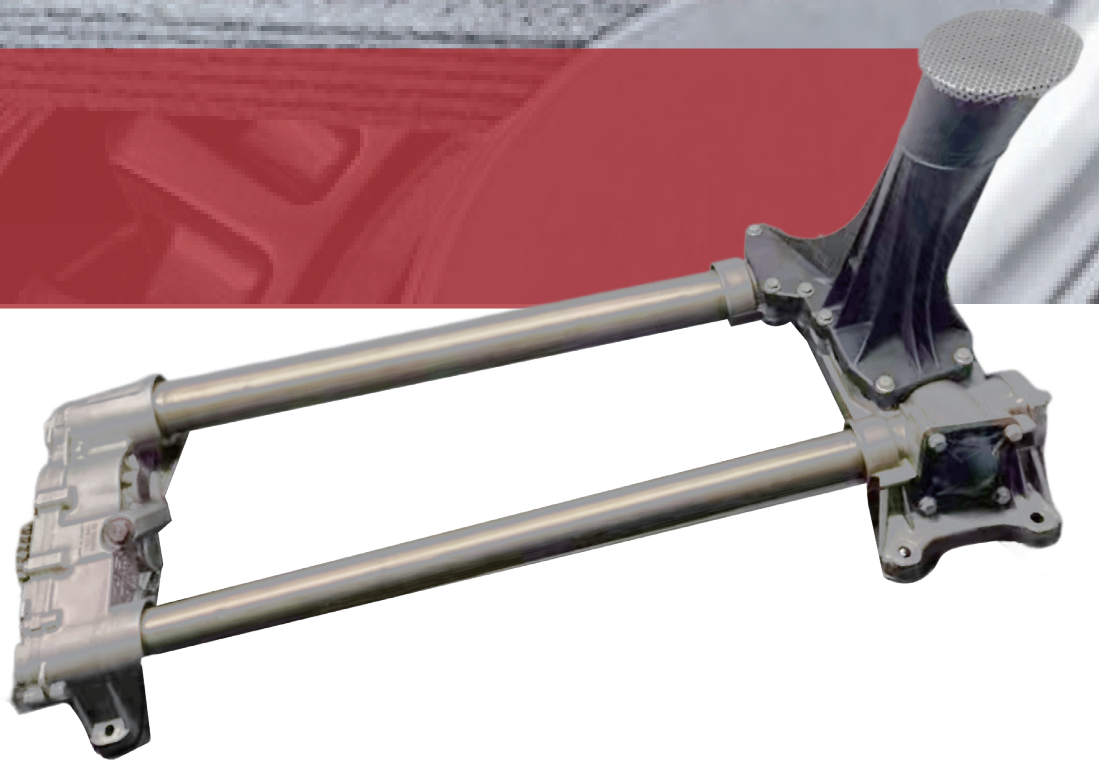
## **COOLING SYSTEM**

- WATER PUMP

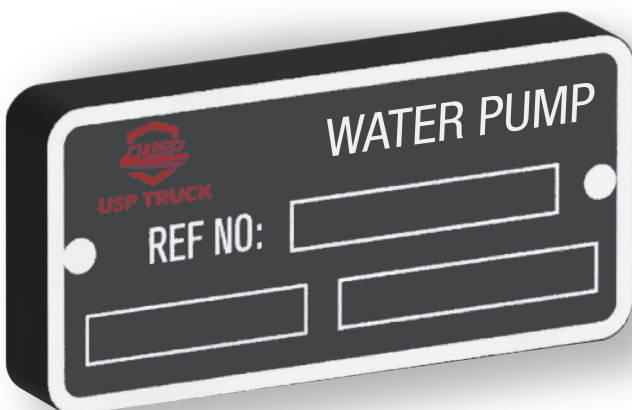


# COMPANY BRAND



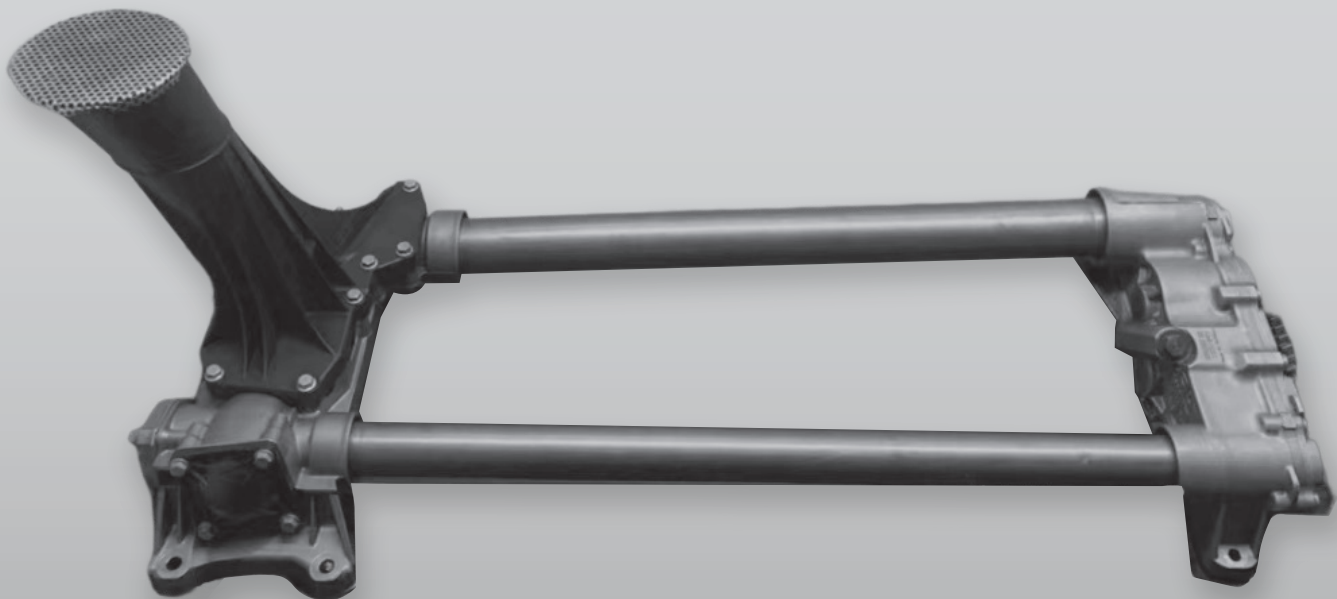
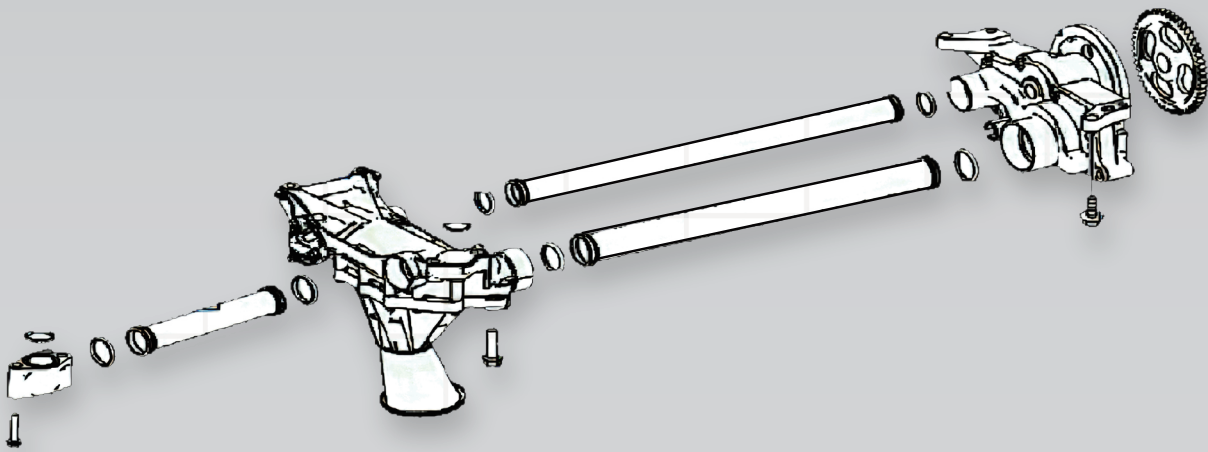


**USP TRUCK**



# **ENGINE POWER SYSTEM**

# **OIL SUCTION MANIFOLD**





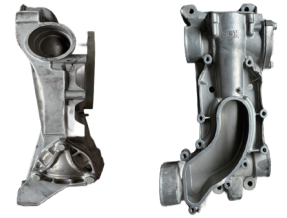
**OIL SUCTION MANIFOLD  
USP-1EN-MB110**

REF NO.  
A4711807551 A4711805551  
A4711806551 (LONG)



**OIL SUCTION MANIFOLD  
USP-1EN-MB110-P**

REF NO.  
A4721801451 A4721805551  
A4711807151 (LONG)



**OIL SUCTION MANIFOLD  
USP-1EN-MB110-S**

REF NO.  
A4721801451 A4721805551  
A4711807151

**FOR  
BENZ**



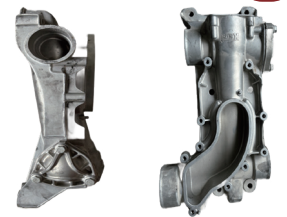
**OIL SUCTION MANIFOLD  
USP-1EN-MB111**

REF NO.  
A4711807551 A4711805551  
A4711806551 (SHORT)



**OIL SUCTION MANIFOLD  
USP-1EN-MB111-P**

REF NO.  
A4721801451 A4721805551  
A4711807151 (SHORT)



**OIL SUCTION MANIFOLD  
USP-1EN-MB111-S**

REF NO.  
A4721804351 A4721806551  
A4721806451



**GASKET  
USP-1EN-MB110-O**

REF NO.  
A4721870980 A4721870880



**GASKET  
USP-1EN-MB110-R**

REF NO.  
A4711804051



**COVER  
USP-1EN-MB110-A**

REF NO.  
A4711804051

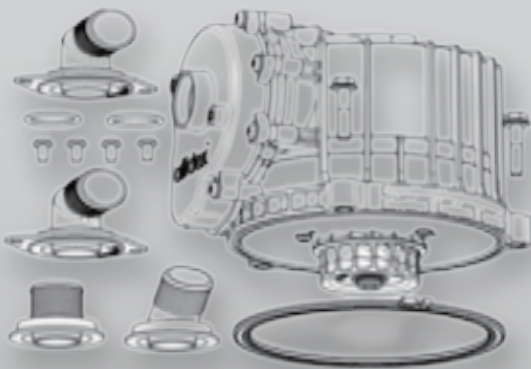
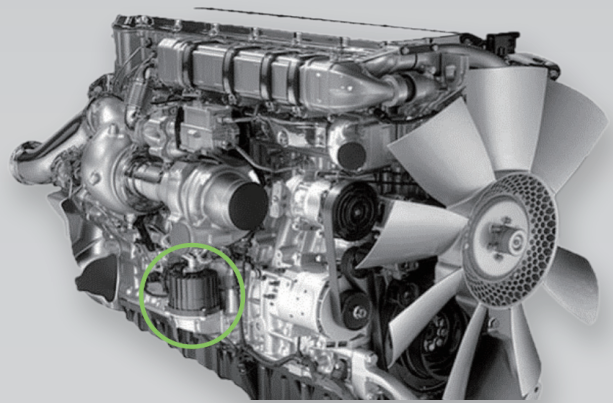


**OIL PRESSURE PIPE  
USP-1EN-MB110-H**

REF NO.  
A4711870431(SHORT)  
A4711870701(LONG)

# ENGINE POWER SYSTEM

# OIL SEPARATOR







**USP-2EN-MB0100**

REF NO.  
A472 010 6662

**USP-2EN-MB0100-H**

REF NO.  
A4720100670 HOSE

**USP-2EN-MB0101**

REF NO.  
A4720107962

**USP-2EN-MB0101-H**

REF NO.  
A4720107962 HOSE

**FOR BENZ**



**USP-2EN-MB0102**

REF NO.  
A472 010 4862

**USP-2EN-MB0103**

REF NO.  
A472 016 0104

**USP-2EN-MB0104**

REF NO.  
A472 010 5262

**USP-2EN-MB0105**

REF NO.  
A472 010 5062

**USP-2EN-MB0106**

REF NO.  
A472 010 7062

**USP-2EN-MB0107**

REF NO.  
A472 010 3162

**USP-2EN-MB0108**

REF NO.  
A472 010 6262

**FOR VOLVO**



**USP-2EN-V00100**  
REF NO.  
21122541



**USP-2EN-V00101**  
REF NO.  
21679517  
21975959



**USP-2EN-V00102**  
REF NO.  
21373547  
21975945

**USP-2EN-V00103**  
REF NO.  
21098264

**USP-2EN-V00104**  
REF NO.  
20499419

**USP-2EN-V00105**  
REF NO.  
21122539

**USP-2EN-V00106**  
REF NO.  
21475228

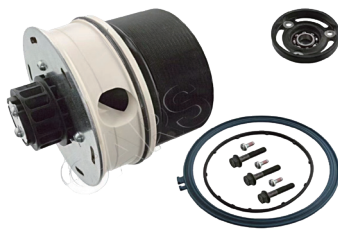
**USP-2EN-V00107**  
REF NO.  
21523995  
21975947

**USP-2EN-V00108**  
REF NO.  
21679520

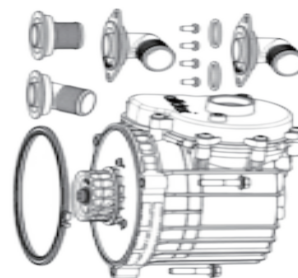
**USP-2EN-V00109**  
REF NO.  
21373007

**USP-2EN-V00110**  
REF NO.  
21524001

**FOR MAN**



**USP-2EN-V00100**  
REF NO.  
51.01804-0047



**USP-2EN-V00101**  
REF NO.  
51.01804-7047

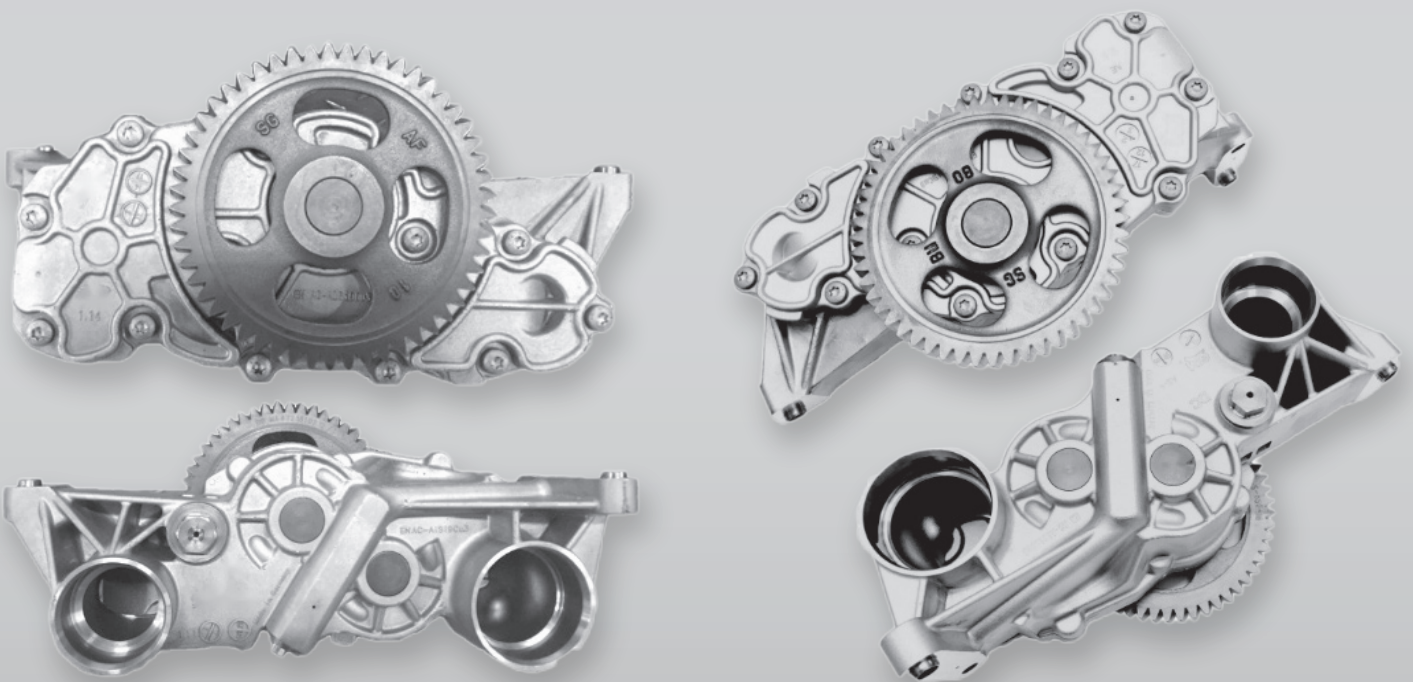
**USP-2EN-V00102**  
REF NO.  
51.01804-7048

**USP-2EN-V00103**  
REF NO.  
51.01804-7050

**USP-2EN-V00104**  
REF NO.  
51.01804-7052

# ENGINE POWER SYSTEM

## OIL PUMP





**USP-2EN-MB2001**  
REF NO.  
A4721803101



**USP-2EN-MB2002**  
REF NO.  
A4711800801



**FOR BENZ**



**USP-2EN-MB2003**  
REF NO.  
20180166



**USP-2EN-MB2004**  
REF NO.  
20180160



**USP-2EN-MB2005**  
REF NO.  
20180121



**USP-2EN-MB2006**  
REF NO.  
20180176 LASO



**USP-2EN-V02001**  
REF NO.  
98180109



**USP-2EN-V02002**  
REF NO.  
98180110



**USP-2EN-V02003**  
REF NO.  
98180104



**USP-2EN-V02004**  
REF NO.  
728039020 tooth  
width: 62.8mm

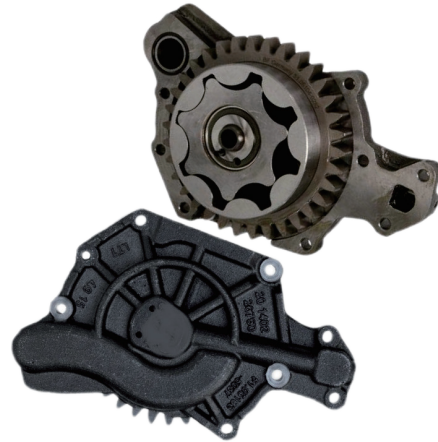


**USP-2EN-V02005**  
REF NO.  
864760

**FOR VOLVO**



**USP-2EN-MN2001**  
REF NO.  
20140220660 BF



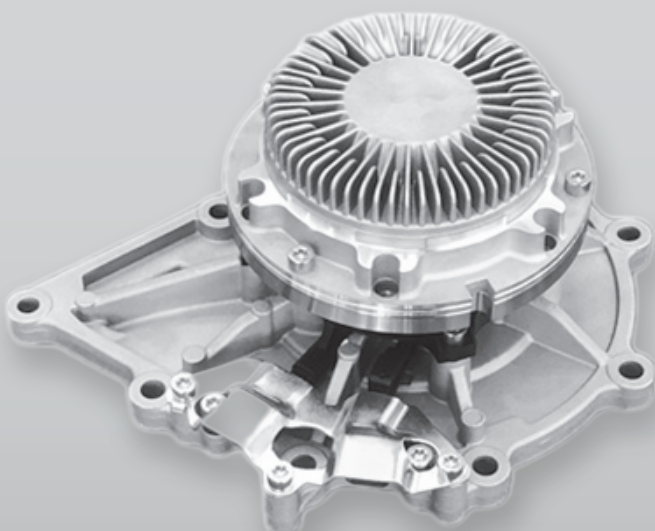
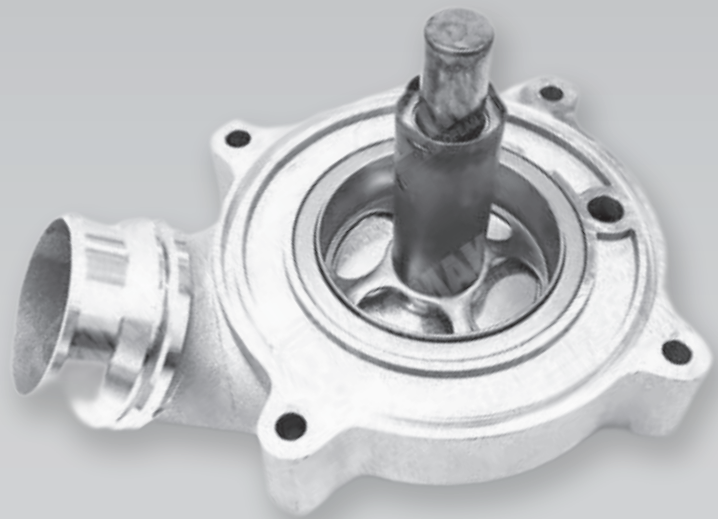
**USP-2EN-MN2002**  
REF NO.  
20140226760 BF

**FOR  
MAN**



**USP-2EN-MN2003**  
REF NO.  
20140226761 BF

# COOLING SYSTEM WATER PUMP



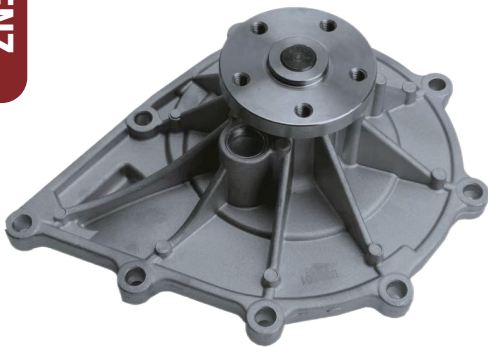


**USP-1C-MB001**  
REF NO.  
4712000901 4712001101  
4722000701



**USP-1C-MB001-P**  
REF NO.  
A4712020310  
Water pump pulley

**FOR BENZ**



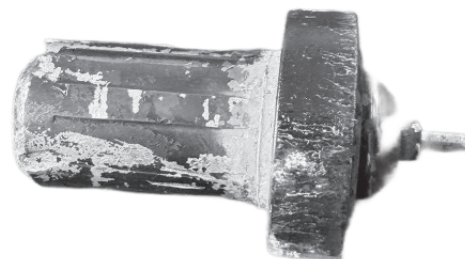
**USP-1C-MB002**  
REF NO.  
4722000001 4722000101  
4722000401 4722001001



**USP-1C-MB002-P**  
REF NO.  
A4712020510001  
Water pump pulley



**USP-1C-MB003**  
REF NO.  
4732000415



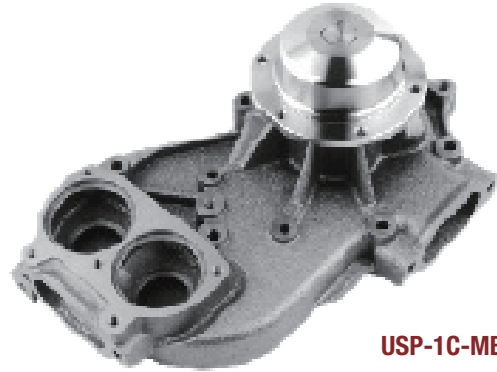
**USP-1C-MB003-P**  
**USP-1C-MB003-P1**  
REF NO.  
4732000415-70C  
4732000415-75C





**USP-1C-MB004**

REF NO.  
5412001201 5412000101  
5412001101 5412010201



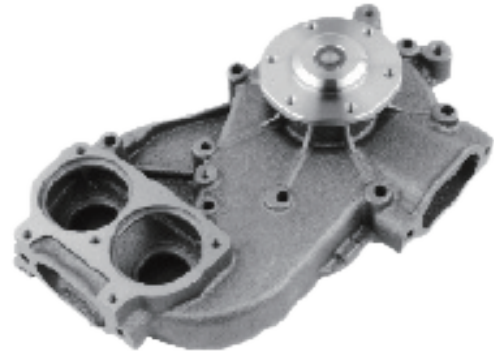
**USP-1C-MB007**

REF NO.  
5422002201 5422001801  
5422000801



**USP-1C-MB005**

REF NO.  
5422001501 5422000501  
5422001901



**USP-1C-MB006**

REF NO.  
5422002001 5422001601  
5422000601

**FOR BENZ**



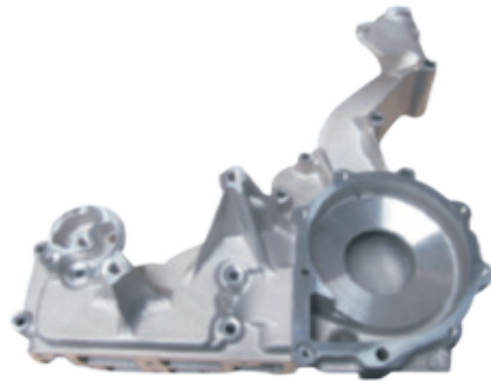
**USP-2C-MN101**  
REF NO.  
51065007125 376749141  
8MP376749141



**USP-2C-MN102**  
REF NO.  
51065007128 99065007128

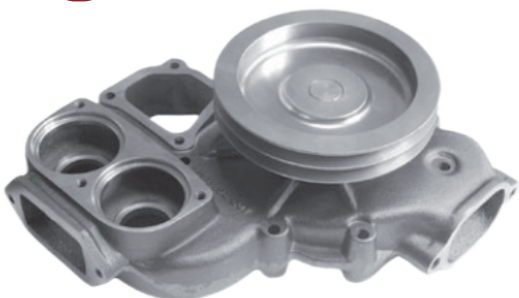


**USP-2C-MN103**  
REF NO.  
51065007131 51065007119  
99065007119



**USP-2C-MN104**  
REF NO.  
51063305040 51063305034  
51063300033

**FOR MAN**



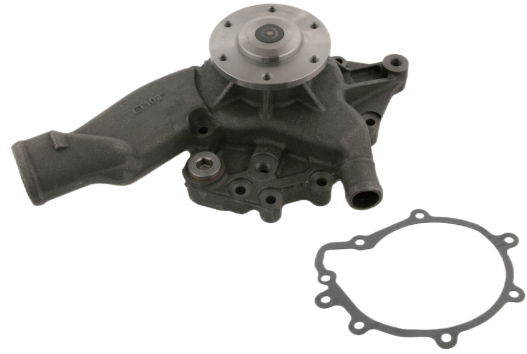
**USP-2C-MN105**  
REF NO.  
51065006548 51065009548



**USP-2C-MN106**  
REF NO.  
51065006515 51065006532  
51065009515 51065009532



**USP-2C-MN107**  
REF NO.  
51063305047 51063303035



**USP-2C-MN108**  
REF NO.  
51065006669

**FOR MAN**



**USP-4C-RN301**  
REF NO.  
21812257S 21781059S  
21941088S  
Renault Trucks Premium II TR/PR,  
Kerax /DXi 11, D/C/K/T



**USP-4C-RN302**  
REF NO.  
21969183 21814036  
21960479 22164104  
S1 Renault Trucks Kerax DXi 13,  
Magnum DXi 13, C/K/T

**FOR RENAULT**

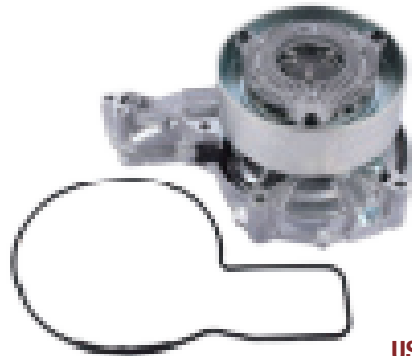


**USP-4C-RN303**  
REF NO.  
21814005 21648711  
20920065  
Renault Trucks Kerax DXi 13,  
Magnum DXi 13, C/K/T



**USP-3C-V0201**

REF NO.  
21812257S 21781059S  
21941088S



**USP-3C-V0202**

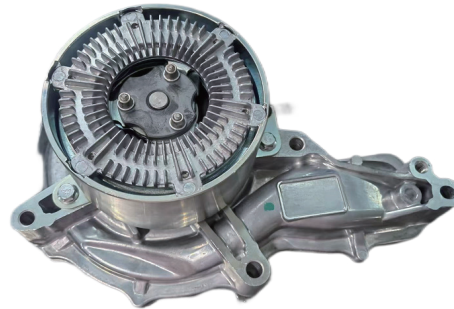
REF NO.  
21969183 21814036  
21960479 22164104S1

**FOR VOLVO**



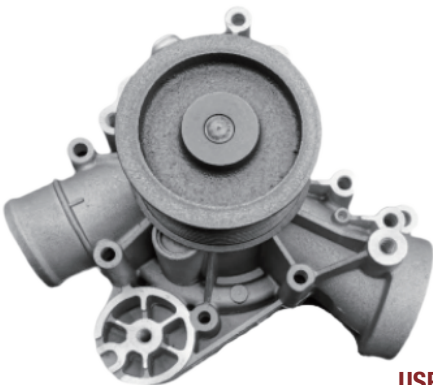
**USP-3C-V0203**

REF NO.  
21814005 21648711  
20920065



**USP-3C-V0204**

REF NO.  
20920065 85000957  
85013427



**USP-3C-V0205**

REF NO.  
20834409 20997647  
20997650



**USP-3C-V0206**

REF NO.  
20709848 22396953  
8170465

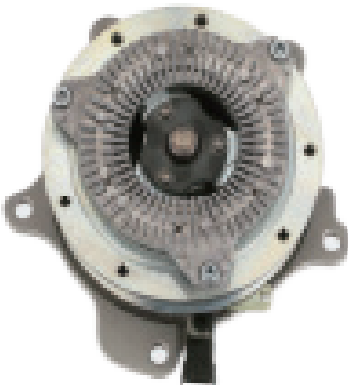


**USP-6C-SC501**  
REF NO.  
2422589



**USP-6C-SC502**  
REF NO.  
2370981  
2714201

**FOR SCANIA**



**USP-5C-DF401**  
REF NO.  
1922223 1934326  
1995152 2104574  
1979914 1979951  
1993418



**USP-5C-DF402**  
REF NO.  
1955243S 1949540  
1959749S 2104578  
2013121S 2201247  
1959590

**FOR DAF**



**USP-5C-DF403**  
REF NO.  
2104577 1949539



**USP-5C-DF404**  
REF NO.  
2267064 2137204  
2184202 2184203  
2267065 2184199PE  
2184203PE 2184199  
2267060PE





***GERMANY***

PROFESSIONAL IN DEVELOPING AND MANUFACTURING WATER PUMPS,  
OIL PUMPS, AND VENTILATION FOR DIFFERENT VEHICLES ;

SPECIALIZES IN SUPPLYING TO EUROPEAN, AMERICAN AND OTHER MARKETS

WATER  
PUMP

OIL  
PUMP

VENTI-  
LATION



**GERMANY**

**TAIZHOU JINJIE AUTO PARTS TECHNOLOGY CO., LTD**

CHEN AO LI INDUSTRIAL, DAMAIYU STREET, YUHUAN CITY, TAIZHOU CITY, ZHEJIANG PROVINCE, CHINA.317604

EMAIL [info@usp-truck.com](mailto:info@usp-truck.com)

WEB [www.usp-truck.com](http://www.usp-truck.com)

TEL 0576-87185577

FAX 0576-87105577

MOB +86 18968621262